

Tags for 10 Reading Log

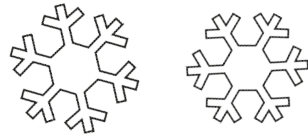
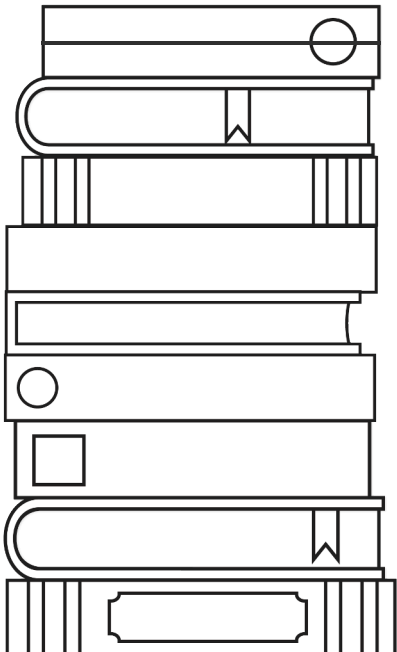
Grades K - 5

Name: _____

Date Started: _____

Read 10 books.

When finished, return this log to the Youth Services Desk to collect your Tag. Then, begin reading toward your next one!



Tags for 10 Reading Log

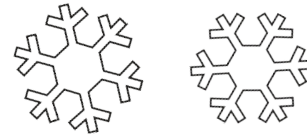
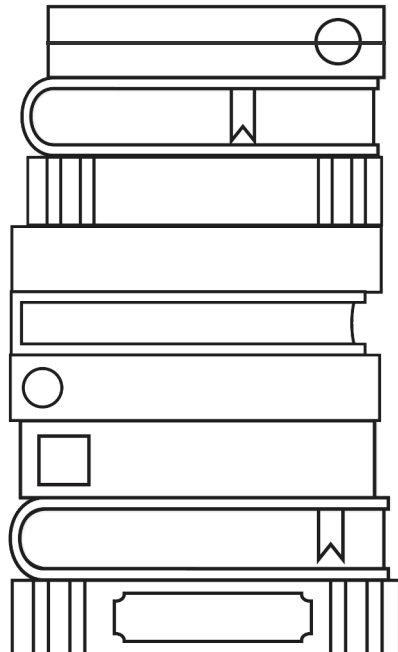
Grades K - 5

Name: _____

Date Started: _____

Read 10 books.

When finished, return this log to the Youth Services Desk to collect your Tag. Then, begin reading toward your next one!



Tags for 10 Reading Log

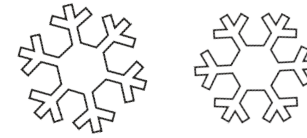
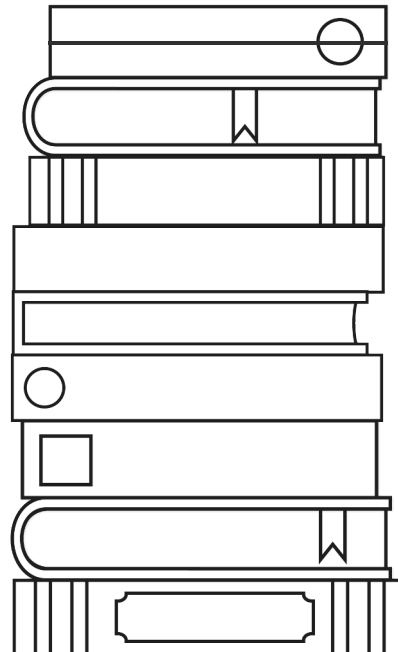
Grades K - 5

Name: _____

Date Started: _____

Read 10 books.

When finished, return this log to the Youth Services Desk to collect your Tag. Then, begin reading toward your next one!



Tags for 10 Reading Log

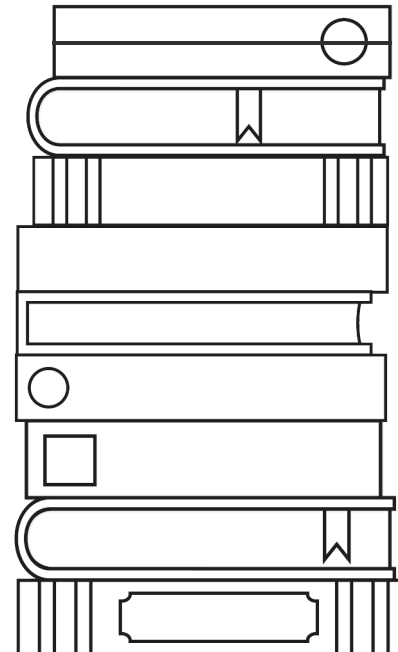
Grades K - 5

Name: _____

Date Started: _____

Read 10 books.

When finished, return this log to the Youth Services Desk to collect your Tag. Then, begin reading toward your next one!

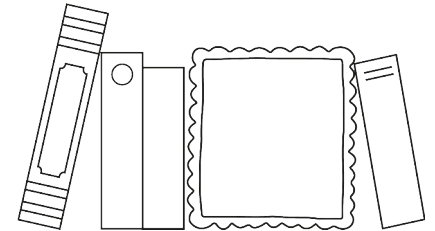
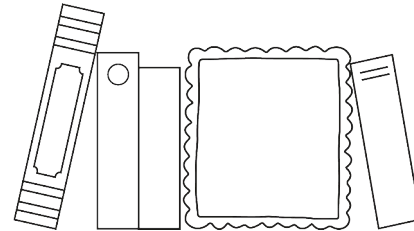
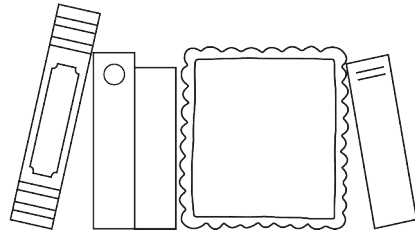
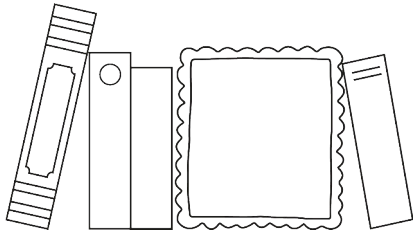


My 10 books are:

My 10 books are:

My 10 books are:

My 10 books are:



**Frankfort Public Library
District**

**Frankfort Public Library
District**

**Frankfort Public Library
District**

**Frankfort Public Library
District**

21119 S. Pfeiffer Rd, Frankfort, Illinois
60423
815-469-2423

21119 S. Pfeiffer Rd, Frankfort, Illinois
60423
815-469-2423

21119 S. Pfeiffer Rd, Frankfort, Illinois
60423
815-469-2423

21119 S. Pfeiffer Rd, Frankfort, Illinois
60423
815-469-2423

<https://www.frankfortlibrary.org/>

<https://www.frankfortlibrary.org/>

<https://www.frankfortlibrary.org/>

<https://www.frankfortlibrary.org/>